



HIGH TEMPERATURE 3-DOOR VENTLESS SINGLE RACK DISHWASHER

180-VL

High Temperature
Ventless Dishwasher



CMA MODEL: 180-VL

The "Ventless" option is a Heat Recovery Condensation Removal System:

Captures and distributes normally exhausted heat from the wash/rinse tank, using this FREE energy to pre-heat cold water prior to feeding the booster heater. Water entering the booster heater has been pre-heated, reducing the energy cost to bring booster temperature to required 180 degrees, potentially saving THOUSANDS of \$dollars\$ in operating costs.

NO VENT HOOD REQUIRED: Saves THOUSANDS \$ on installation.

FEATURES

- Replaces need for independent vent hood.
- Final Rinse Valve receives cold water (41-65°F) that is processed through a "Heat Recovery System" providing nearly cost-free heating capabilities for water supplied to the Booster Heater, which reduces the heat recovery time for the Booster Heater.
- Heat recovery system captures water vapor from the wash & rinse cycle, and condenses it to heat the incoming cold water & evacuate the steam from the wash chamber.
- Door-actuated start.
- Safe-T-Temp feature assures 180° F sanitizing rinse every cycle.
- 12kW electrical booster heater.
- Booster-safety thermostat.
- 6kW wash tank heater.
- Low max. 0.89 US gallons of water usage per rack.
- Minimum 90-second cycle. (60 second wash/rinse & 30 second steam evacuation)
- 40 racks per hour (based on 90-second cycle).
- Fully automatic cycle for easy operation.
- Water level safety control.
- Maximum clearance for dishes is 17-1/2".
- All Stainless Steel construction.
- Wash tank screens, which filter recirculating wash water, prevent soil from entering spray arms.
- 3-door feature for straight or corner applications.
- Automatic heat exchange condenser wash-down feature.
- Rinse PRV supplied (Pressure Regulating Valve).
- Field convertible from three phase to single phase.

AVAILABLE OPTIONS

- Alternative electrical available for export.
- Stainless steel dishtables
- Dual power supply connections

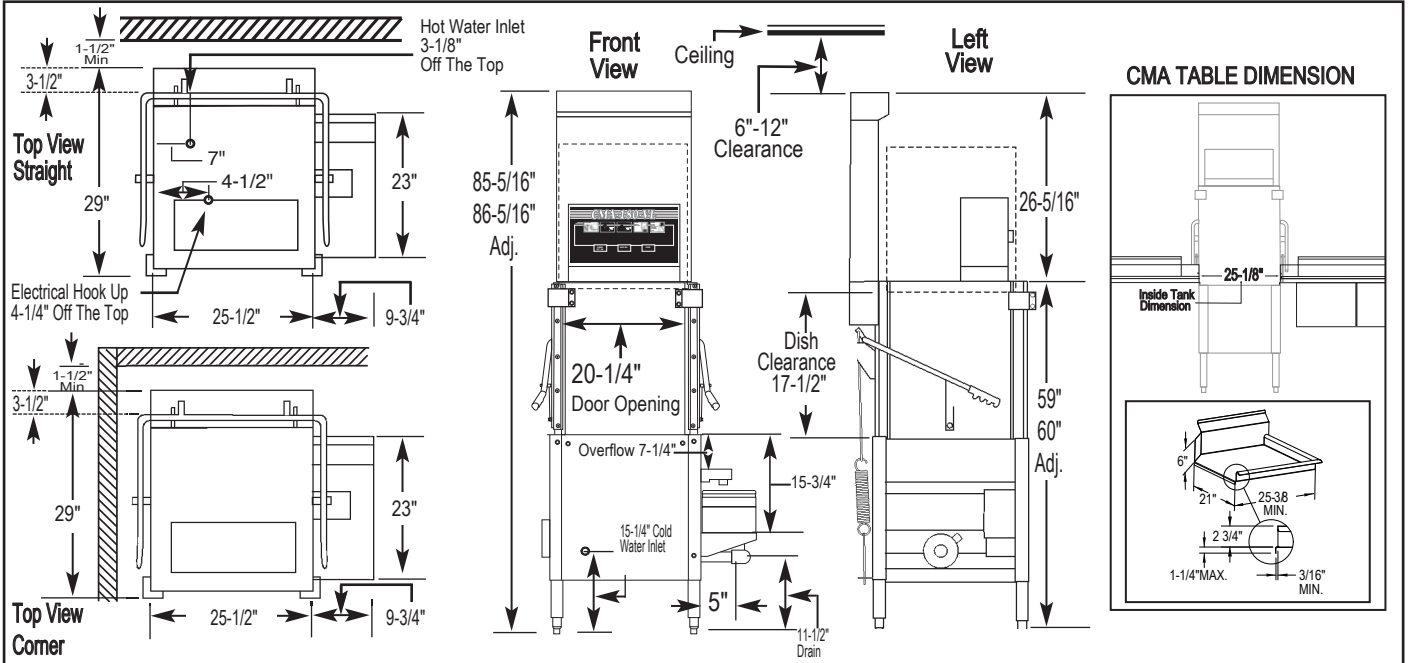




CMA-180-VL
 High Temperature
 3- Door Ventless
 Single Rack Dishwasher

WARNINGS:

- Plumbing connections must be made by a qualified service company who will comply with all available Federal, State, and Local Health, Plumbing and Safety codes.
- CMA recommends utilizing a water softening system to maintain water hardness measurements of 3.5 gpg (grains per gallon) or less. This will assure maximum results and optimum operation of the dishwasher.



Specifications:

	USA	METRIC		USA	METRIC	
WATER CONSUMPTION			WASH PUMP MOTOR HP	1	1	
PER RACK (MAX)	.89 GAL	(3.37 L)	DIMENSIONS			
PER HOUR	36 GPH	(136 L)	DEPTH	29"	(76.7cm)	
OPERATING CYCLE			WIDTH (OUTSIDE DIMENSION)	25 -1/2"	(65cm)	
WASH TIME - SEC.	49	49	TOTAL HEIGHT	85-5/16"-86-5/16"	(216-217cm)	
RINSE TIME - SEC.	12	12	STANDARD TABLE HEIGHT	34"	(86.3cm)	
STEAM EVACUATION	30	30	MINIMUM FAN CLEARANCE	6"	(15.2cm)	
TOTAL CYCLE	90	90	MAX CLEARANCE FOR DISHES	17-1/2"	(44cm)	
OPERATING CAPACITY			DRAIN CONNECTION (OFF FLOOR)	11-1/2"-12-1/2"	(29-32cm)	
RACKS PER HOUR	40	40	STANDARD DISHRACK			
WASH TANK CAPACITY	8 GAL.	(30.3 L)	DIMENSIONS	1	1	
PUMP CAPACITY	52 GPM	(197 LPM)		20" x 20"	(50.8 X 50.8cm)	
WATER REQUIREMENTS			ELECTRICAL RATING	VOLTS	PHASE	AMPS
COLD WATER	41-65°F	(5°C-18°C)	208	1	78	
HOT WATER	120°F-140°F	(49°C-60°C)	240	1	88	
DRAIN CONNECTION	2"	(5.1cm)	208	3	49	
RINSE PRESSURE SET	20 ±.5psi	(1.41 kg/cm²)	240	3	55	
HOT WATER INLET	1/2"	(1.3cm)	480	3	25	
COLD WATER INLET	1/2"	(1.3cm)				
OPERATING TEMPERATURE			APPROXIMATE SHIPPING WEIGHT	528#	(239kg)	
WASH-°F (MIN)	155°F-160°F	(68°C-71°C)	SHIPPING DIMENSIONS	PALLET & WOODEN CRATE @ 41" X 41" X 86"		
RINSE-°F (MIN)	180°F-195°F	(82°C-90°C)				
HEAT LOAD TO ROOM	LATENT 7,986 SENSIBLE 5,005					

Summary Specifications: Model CMA-180-VL

The model CMA-180-VL single tank, high temperature dishwasher is designed for years of trouble free service, producing sparkling results while conserving energy, water and chemicals. This machine is supplied with a built-in 12 kW booster heater required for "Ventless" feature to function. The CMA-180-VL comes standard with the 3-door feature for straight or corner applications. Unique soil purging system filters wash water and plate debris into an external tray. The CMA-180-VL is NSF, UL, and CUL approved. Constructed entirely of stainless steel.

Advisory: CMA does NOT endorse "Tankless On-Demand" water heaters for use on CMA Dishmachine products. CMA DOES endorse, and highly recommends, the standard "tank" style water heaters, sized properly to handle each particular facility with their water heating requirements.



CMA Dishmachines 12700 Knott Street Garden Grove, CA 92841 • 800-854-6417 • 714-898-8781 • Fax: 714-895-2141 • www.cmadishmachines.com

CMA reserves the right to modify specifications or discontinue models without prior notification.

© 7-2021 CMA, Inc.

an Ali Group Company



The Spirit of Excellence